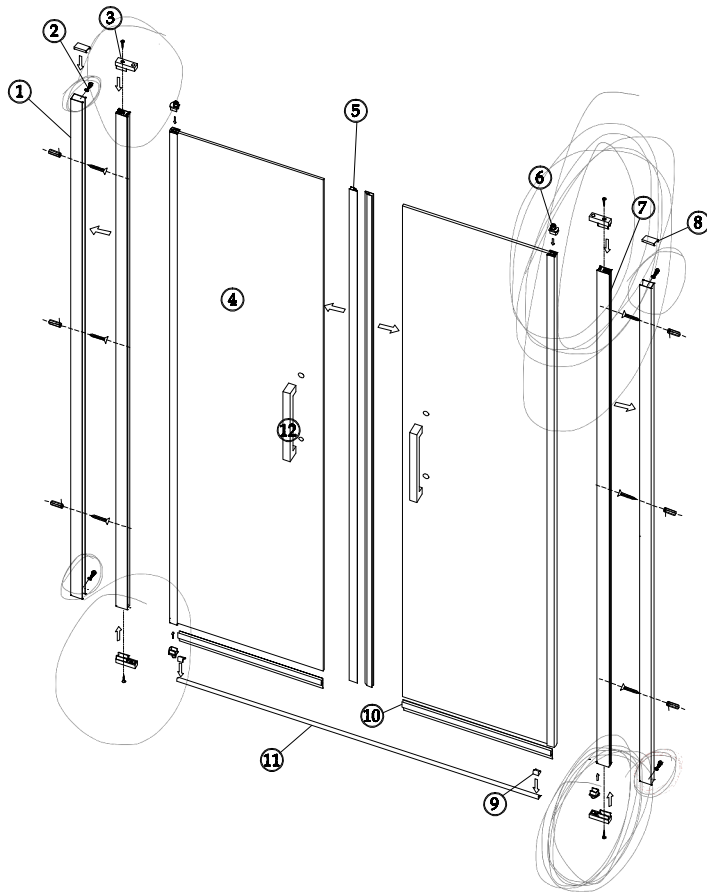
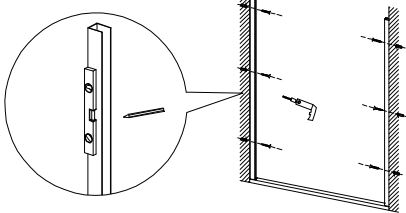


200.906

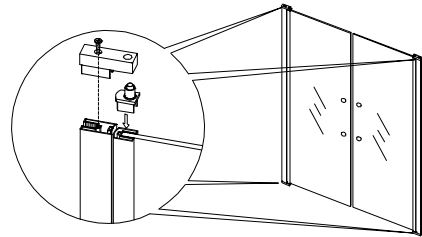
①	decoration profile
②	screw
③	bracket
④	moving glass
⑤	180° magnetic stripe
⑥	pivot
⑦	wall profile
⑧	wall profile decoration cover
⑨	antiskid cover
⑩	H rubber
⑪	anti-water strip
⑫	handle
⑬	
⑭	
⑮	
⑯	
⑰	
⑱	
⑲	
⑳	
㉑	
㉒	
㉓	
㉔	
㉕	



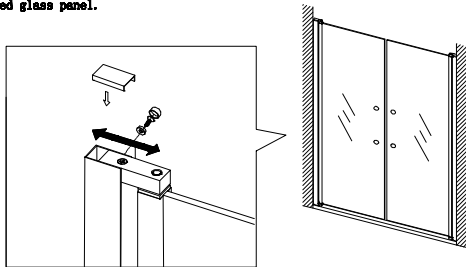
1: Keep the decoration profile vertical to the wall .



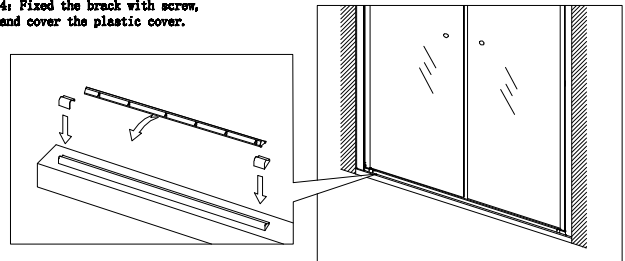
2: Fixed Magnetic stripe with profile on the wall.



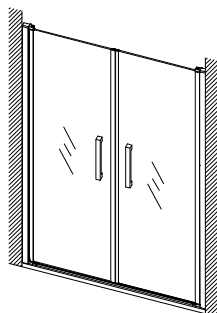
3: As shown, connect the bracket and pivot with fixed glass panel.



4: Fixed the brack with screw, and cover the plastic cover.



5: Fixed anti-water strip on the base and cover the antiskid cover.



6: Fixed the handle and H-rubber on the glass. Apply silicone sealant to both side. Don't use the enclosure for 24 hours , to allow the silicone to dry completely .

